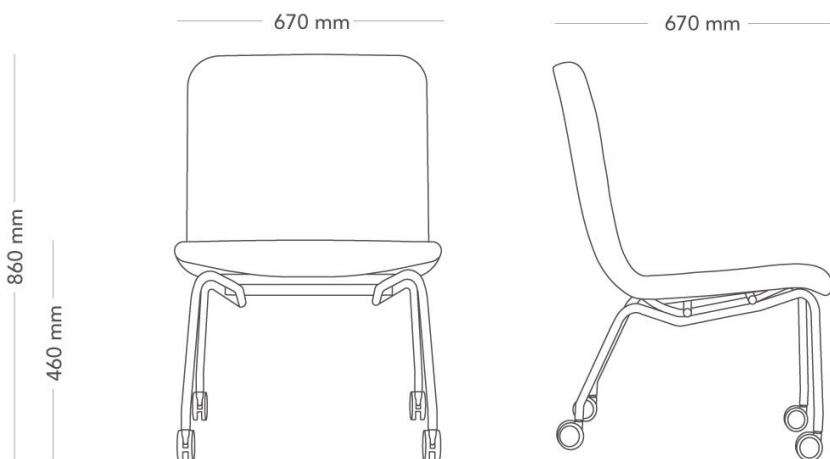


# Hybe

## HYBE 1-SEATER.

Hybe is a hybrid series of flexible seating and meeting places/pods designed by Form Us With Love. Hybe exists to fulfill the need for adaptable and mobile spaces in the versatile office, promoting productivity and creativity.

1-seater, four-leg frame with castors.



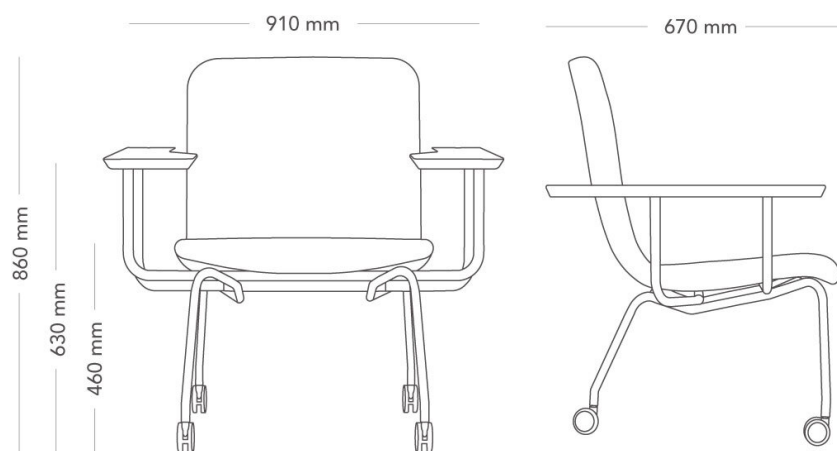
MODEL	1-seater	
VARIANTS	<ul style="list-style-type: none"> <li>– Without armrests</li> <li>– With armrests</li> <li>– With screen</li> </ul>	
ACCESSORIES	– Alternative colours and materials	
DETAILS	– Front castors have brakes.	
CONSTRUCTION	<p>Molded wood seat shell with foam padding. 22 mm steel tube frame, with castors. Armrest as option, with 22 mm steel tube frame, and top with 22 mm MDF core, and beveled edge. Surface coating in different materials, thickness 0.2-2 mm depending on material choice. Upholstered screens as option, made from wood-fiber board with polyethylene surface, foam padding. Fastened with 4 mm sheet-steel brackets.</p>	
DIMENSIONS	Height: 860 mm Depth: 670 mm Sit depth: 440 mm	Width: 670 mm Seat height: 460 mm
WEIGHT	10.9 kg	
TESTED	EN 16139:2013	
GUARANTEE	5 years	

# Hybe

## HYBE 1-SEATER WITH ARMRESTS

Hybe is a hybrid series of flexible seating and meeting places/pods designed by Form Us With Love. Hybe exists to fulfill the need for adaptable and mobile spaces in the versatile office, promoting productivity and creativity.

1-seater, four-leg frame with castors.



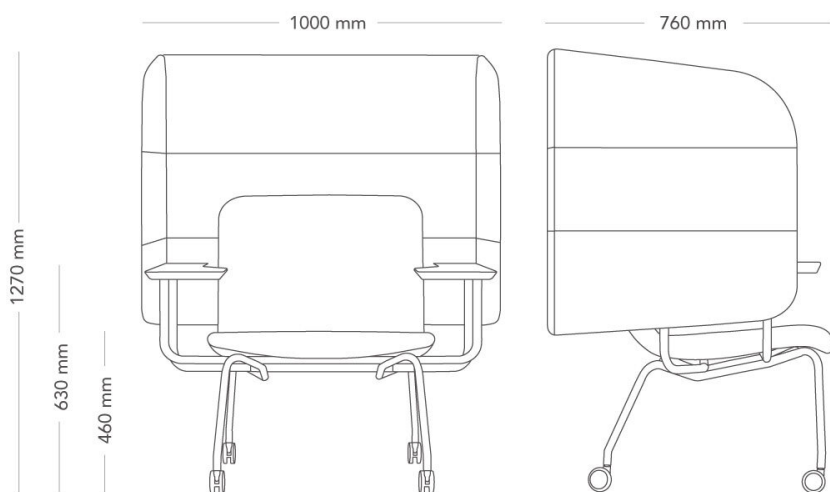
MODEL	1-seater	
VARIANTS	<ul style="list-style-type: none"> <li>– Without armrests</li> <li>– With armrests</li> <li>– With screen</li> </ul>	
ACCESSORIES	– Alternative colours and materials	
DETAILS	– Front castors have brakes.	
CONSTRUCTION	<p>Molded wood seat shell with foam padding. 22 mm steel tube frame, with castors. Armrest as option, with 22 mm steel tube frame, and top with 22 mm MDF core, and beveled edge. Surface coating in different materials, thickness 0.2-2 mm depending on material choice. Upholstered screens as option, made from wood-fiber board with polyethylene surface, foam padding. Fastened with 4 mm sheet-steel brackets.</p>	
DIMENSIONS	Height: 860 mm Depth: 670 mm Sit depth: 440 mm	Width: 910 mm Seat height: 460 mm
WEIGHT	17.3 kg	
TESTED	EN 16139:2013	
GUARANTEE	5 years	

# Hybe

## HYBE 1-SEATER WITH SCREEN

Hybe is a hybrid series of flexible seating and meeting places/pods designed by Form Us With Love. Hybe exists to fulfill the need for adaptable and mobile spaces in the versatile office, promoting productivity and creativity.

1-seater, four-leg frame with castors.



MODEL 1-seater

VARIANTS

- Without armrests
- With armrests
- With screen

ACCESSORIES

- Alternative colours and materials

DETAILS

- Front castors have brakes.

CONSTRUCTION

Molded wood seat shell with foam padding. 22 mm steel tube frame, with castors. Armrest as option, with 22 mm steel tube frame, and top with 22 mm MDF core, and beveled edge. Surface coating in different materials, thickness 0.2-2 mm depending on material choice. Upholstered screens as option, made from wood-fiber board with polyethylene surface, foam padding. Fastened with 4 mm sheet-steel brackets.

DIMENSIONS

Height: 1270 mm	Width: 1000 mm
Depth: 670 mm	Seat height: 460 mm
Sit depth: 440 mm	

WEIGHT 26.7 kg

TESTED EN 16139:2013

GUARANTEE 5 years