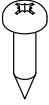
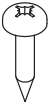




x2 (control box-table top connection)



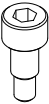
x18 (crossbar-table top connection, sidebar-table top connection)



x2 (handset-table top connection)



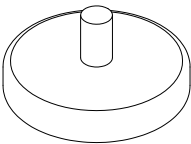
x4 (foot-column connection)



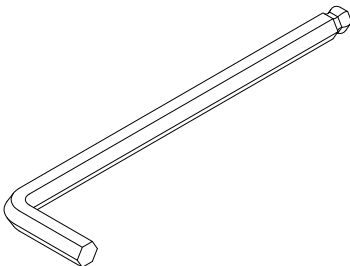
x10 (crossbar connection, crossbar-house/sidebar connection)



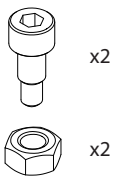
x2 (crossbar connection)



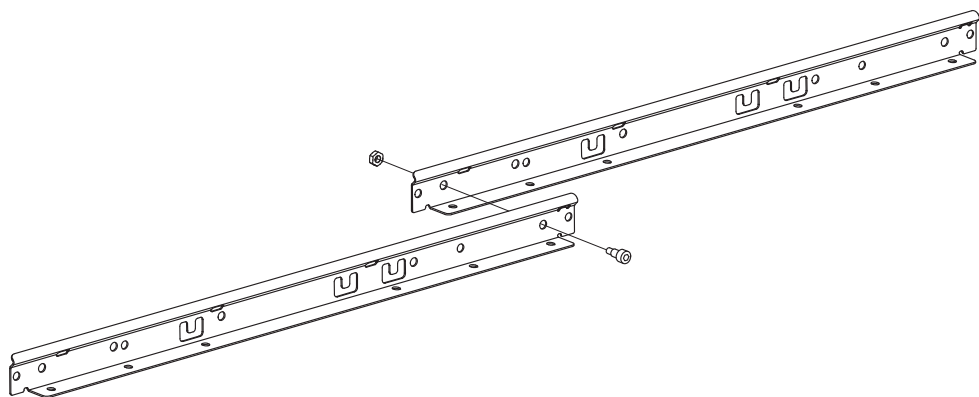
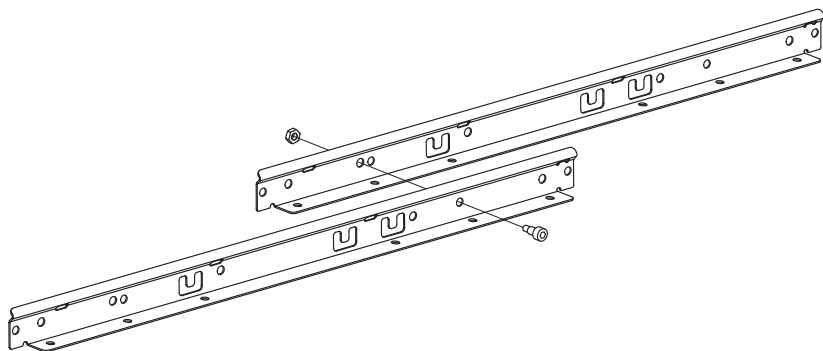
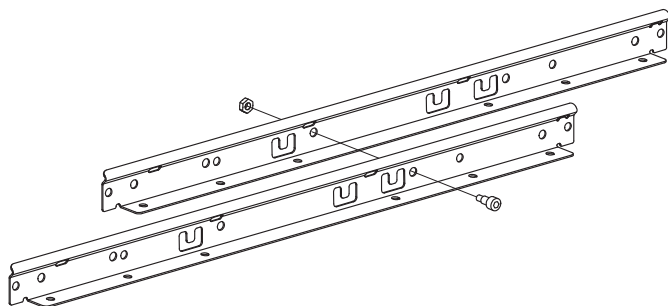
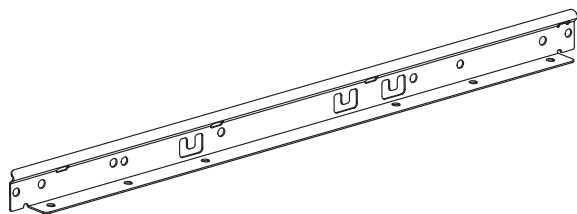
x4 (adjuster for foot)



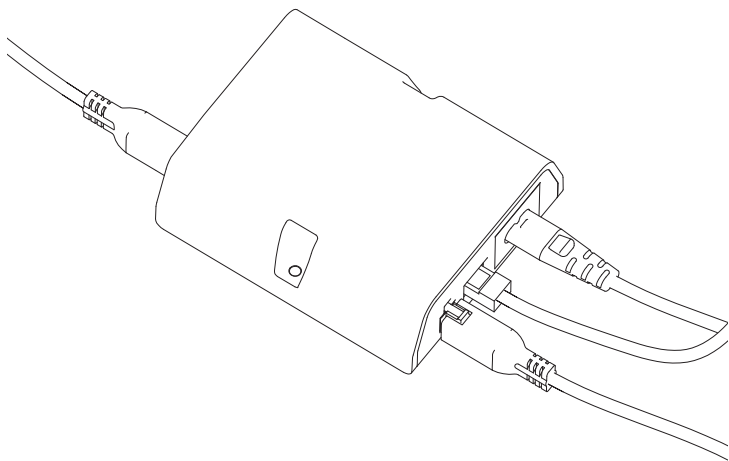
x1 (Allen key)



1



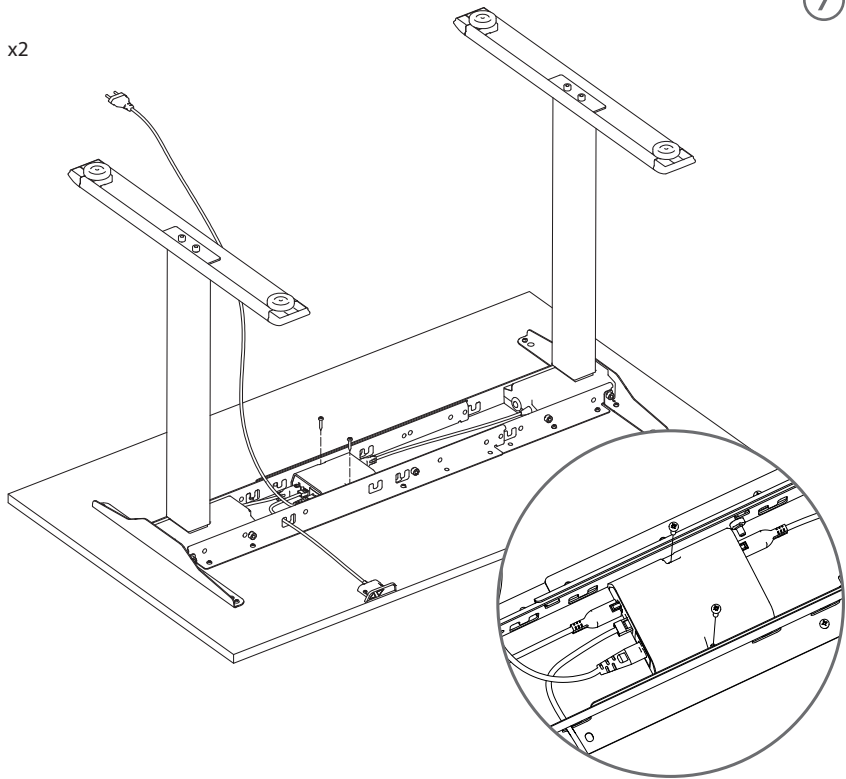
6

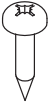


7

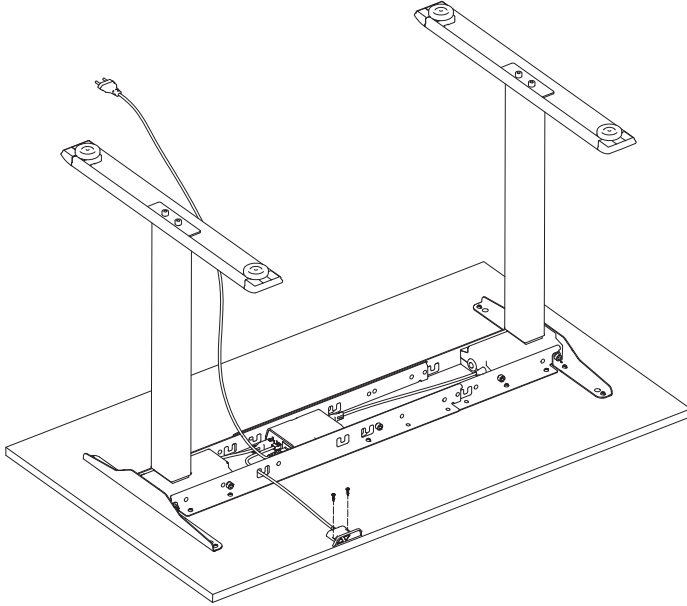


x2

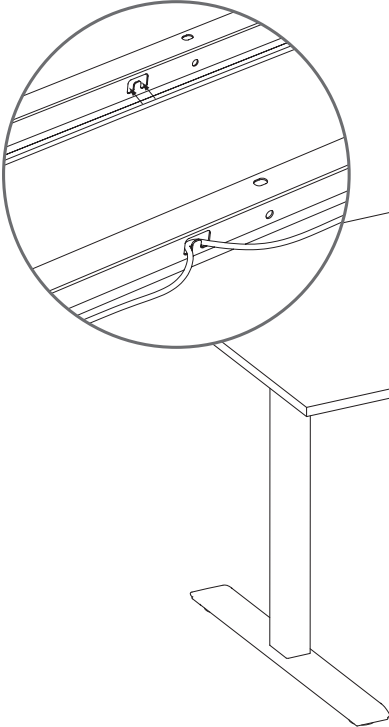




x2



8



9