

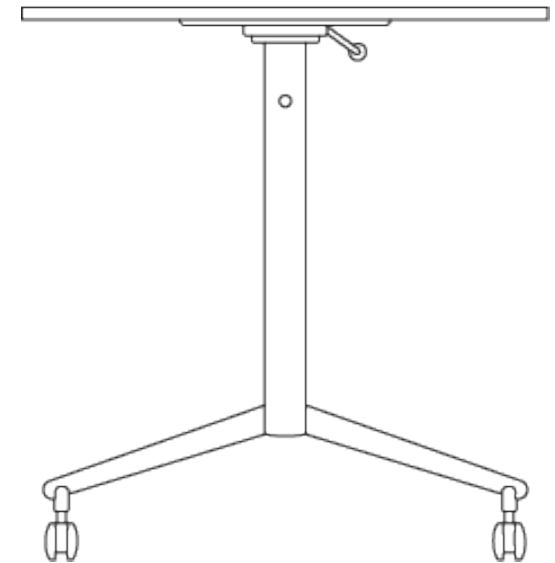
HideAway is a family of flexible meeting and work tables with either a tiltable or foldable top. HideAway is suitable for both large conference rooms and small meeting rooms, as well as in schools and other learning environments. With HideAway, the surfaces can be used to the maximum without compromising on layout or design.

PILLAR TABLE WITH TILTABLE TOP, TWO PILLARS

- Tilttable top
- The top can be tilted to the side so that the table takes up minimal space during storage.
- Two pillar table legs with wheels
- Metal frame in white, black or silver
- Black-lacquered handle
- Black castors
- Height 720 mm

A SUSTAINABLE TABLE

- 52–59% recycled materials\*
- 41–49% renewable materials\*
- All tops are available in FSC®- certified material. (FSC-C009111)
- The table works equally well in different settings for meetings, workshops, conferences and studies
- The particleboard for tables with S-edges is manufactured from 100% recycled material
- Tested according to EN15372:2016 Level 3
- Can be repaired with new parts as necessary
- Eco-friendly powder coating, waterbased adhesives and paints
- 5-year guarantee



STANDARD DIMENSIONS

Height	Width	Depth
720 mm	1400-1800 mm	800-900 mm

FRAME



TABLE TOP



\*depending on the variant